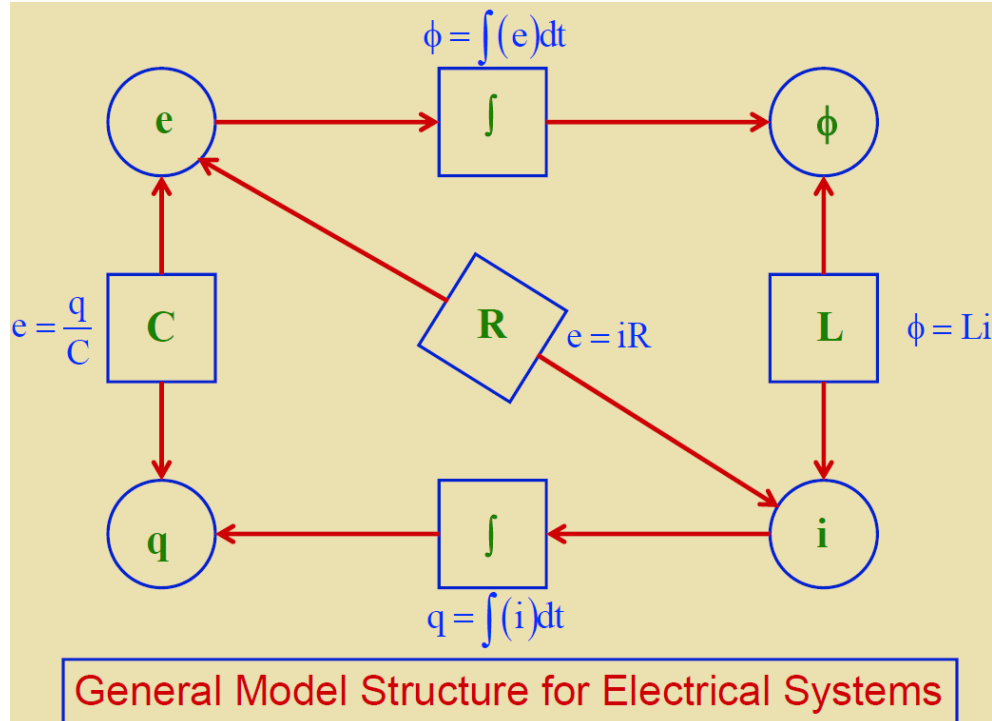
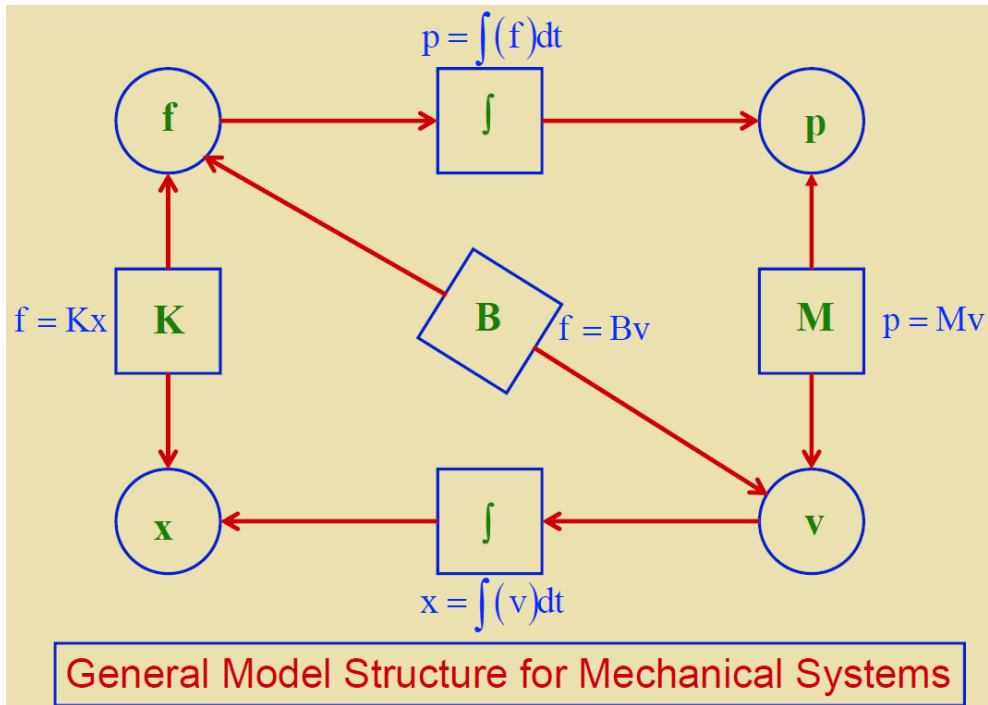


Electrical-Mechanical Analogy

K. Craig, Mech. E., RPI

http://multimechatronics.com/images/uploads/mech_n/Electrical_Mechanical_Analogy.pdf



There are 4 ways to draw the analogy between Electrical and Mechanical systems